

**Somfy**

50 avenue du Nouveau Monde

BP 152 - 74307 Cluses Cedex

France

T +33 (0)4 50 96 70 00

F +33 (0)4 50 96 71 89

[www.somfy.com](http://www.somfy.com)



## LT 80 S – LT 80 S CSI

NARROW HEAD TUBULAR MOTORISATION FOR CLOSURES ON COMMERCIAL PREMISES

Innovation in 43 millimetres.  
Up to 300 Nm in single-phase power supply.  
Commercial closures have a new standard.

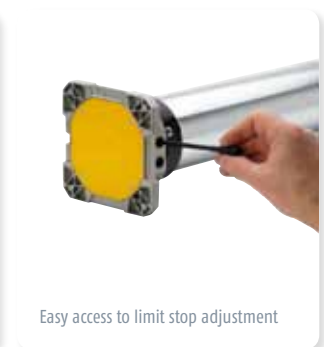
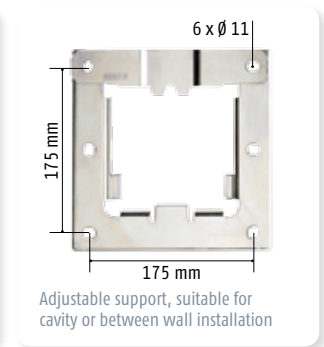
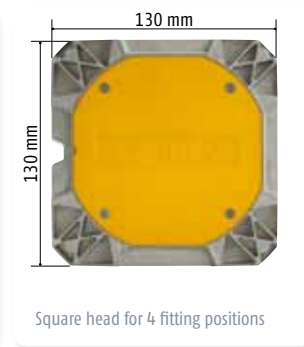
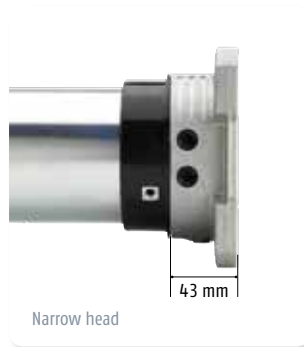
# LT 80 S LT 80 S CSI

The narrowest head on the market revolutionises integration and installation.

Designed with and for professional installers for business unit closing systems, the new Somfy LT 80 S range of tubular motors, with narrow head and cross bar revolutionises integration and installation.

- **Standardization of components** to optimize stock,
- **Very flexible installation process,**
- **Intuitive manual override operation.**

The LT 80 S range provides motorisation for all types of metal shutters for fitting in cavity wall or between wall installation.



## A NEW, QUICK-FIT STANDARD

### Narrow, 43 mm head

- For use on a standard 50mm post.
- Allows use of cased tracks, so no need to install a post.
- Identical dimensions, with or without manual override.
- Makes entrances more attractive with wider access.

### Crosspiece manual override, with direct drive.

#### No need to pull or push

- Allows use of roller shutters accessories (7mm hexagonal or 6mm square).
- No recutting to the length of the accessory rod.
- Allows use of angle transmissions and other systems.

### Optimized packaging

- Packaging adapted to individual need: unit or in 10s.
- Cardboard packaging, no polystyrene, easy to recycle.
- Packaging wedges, reusable to protect the motor heads in transport to installation site.

## Somfy quality

All Somfy motors are tested on the production line before delivery to you.





A complete range	
Diameter	80 mm, with base ring diameter 94 mm
Torque [Nm]	4 torque settings available: 150 / 200 / 250 / 300 Nm
Adaptation	Range of adaptations the same as the LT80, compatible with tubes from 100 x 2 mm.
Power supply	Single-phase 230 V -50 Hz
Manual override	With or without
Safety limit stops	With

## A NEW EASY-FIT STANDARD

### Motor fitted in any position

With its adjustable support.

- Shaft inserted from the top or from in front
- 4 fitting positions with the square head
- Motor can be angled up to 45°
- Practical fixing of the support
- Tolerates misalignment in installation, and gives freedom of movement to the motorised shaft.

### Easy access to limit stop adjustment

- Whatever the position of the head of the motor.
- Conical-tip adjustment screw, for easy insertion of the clippable adjusting tool supplied.

Description	Torque	Speed	Power	Intensity	End limits	Reference
LT80S 150	150 Nm	8 rpm	450 W	2A	17 turns	1201066
LT80S 200	200 Nm	8 rpm	710 W	2.5A	17 turns	1201067
LT80S 250	250 Nm	8 rpm	710 W	3.2A	17 turns	1201068
LT80S 300	300 Nm	8 rpm	855 W	3.9A	17 turns	1203029
LT80S CSI 150	150 Nm	8 rpm	450 W	2A	17 turns	1201073
LT80S CSI 200	200 Nm	8 rpm	710 W	2.5A	17 turns	1201074
LT80S CSI 250	250 Nm	8 rpm	710 W	3.2A	17 turns	1201080
LT80S CSI 300	300 Nm	8 rpm	855 W	3.9A	17 turns	1203032
Fitting support sold separately						x1 9018069
Fitting support sold separately						x10 9018070

A NEW STANDARD  
**EASY TO LIVE WITH**  
 FOR THE USER,  
 SO LESS NEED FOR YOU  
 TO CARRY OUT MAINTENANCE.

EXCLUSIVE TO SOMFY.

### User protection

The torque limit protects the user, preventing the curtain from dropping when the manual override is actuated, in the event of a simultaneous jamming of the safety brake, and a power failure.

### Easy and quick to open even if there is a power cut.

- Intuitive repair operation, no need to pull on the ring or the shaft.
- Automatic reset of repair operation after use.
- Manoeuvre immediately reassures the user, with a visible movement of the curtain as soon as the manual override is operated.

